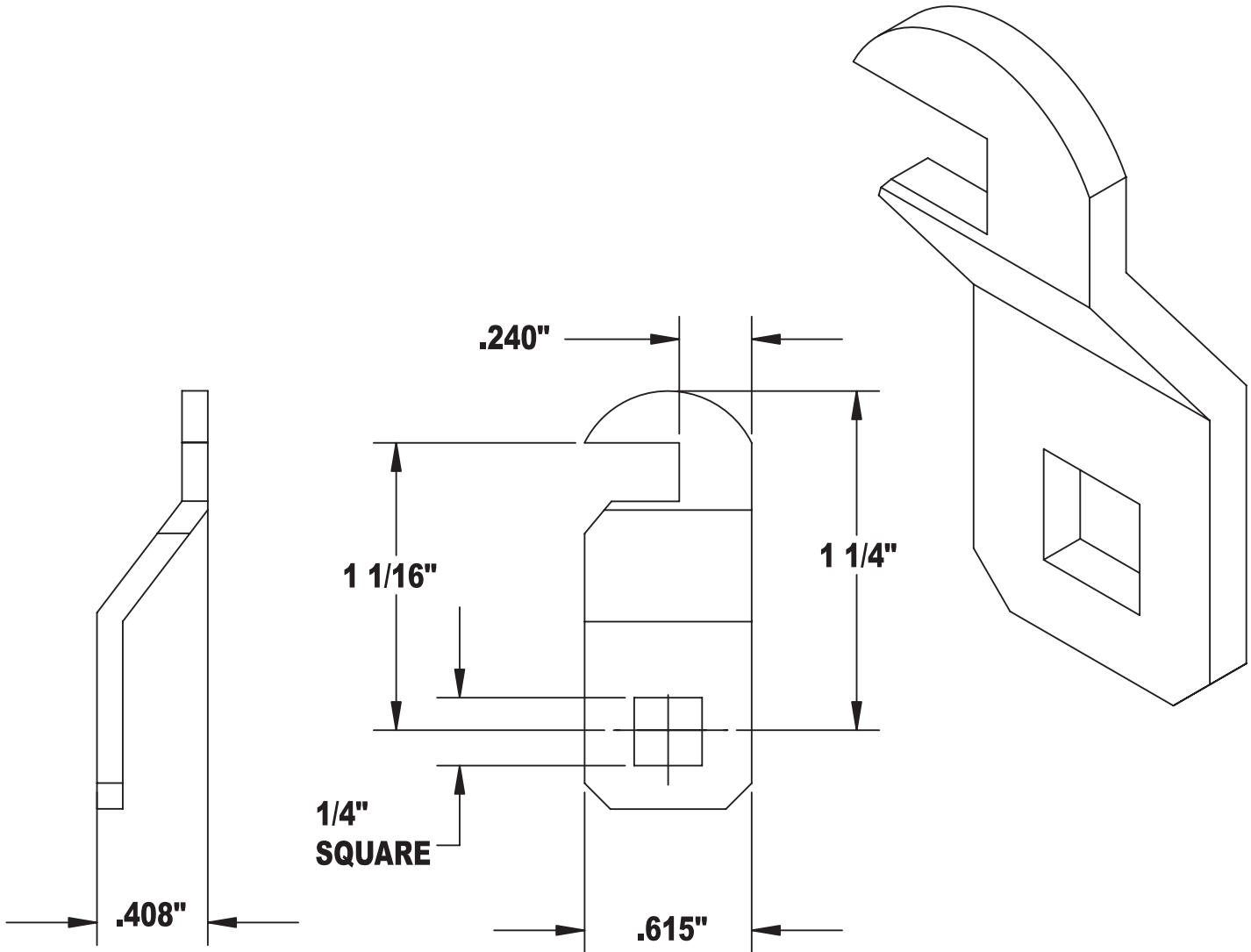


C7015 HOOK CAM



PART NO.	DESCRIPTION	DIMENSIONS	MATERIAL	BAG QUANTITY
C7015-2C	5/16" OFFSET CAM	1-1/16" TO HOOK	STEEL	25