

200/300 Series

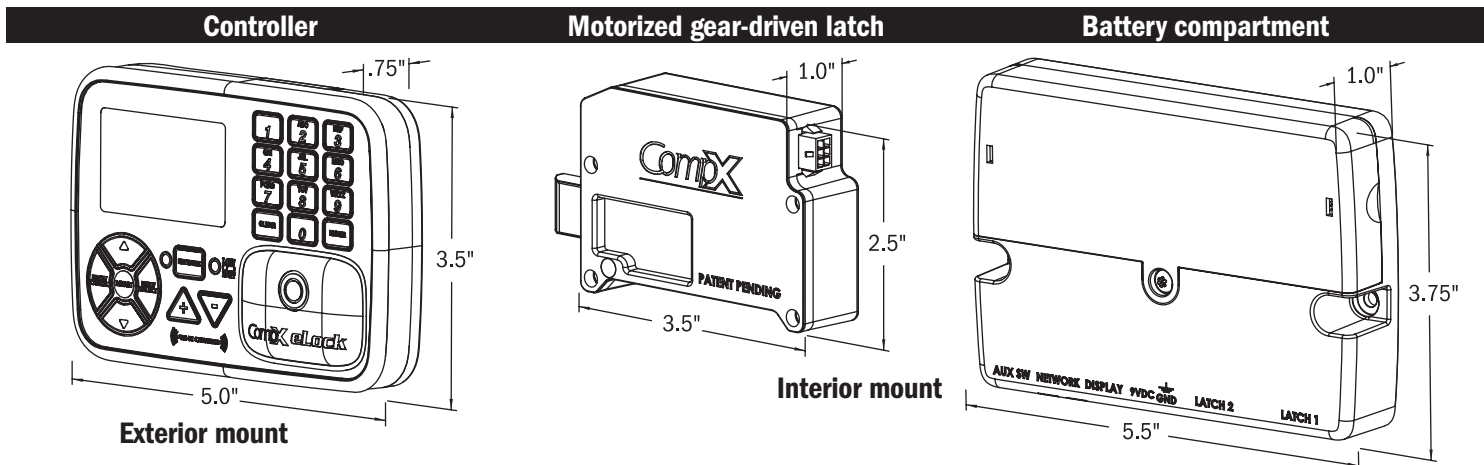
CompX cabinet eLock Instructions



Thank you for purchasing the CompX eLock. The information contained in these instructions is intended to serve as a guide so as to allow the eLock to be quickly and easily put into service. CompX's 300 Series eLock can be configured to work in conjunction with existing 802.11g or Ethernet networks.

For complete set up and installation instructions for networked and stand-alone eLocks, please see the "Help" section in CompX's LockView v4 software.

Network **cabinet** eLock has three components:

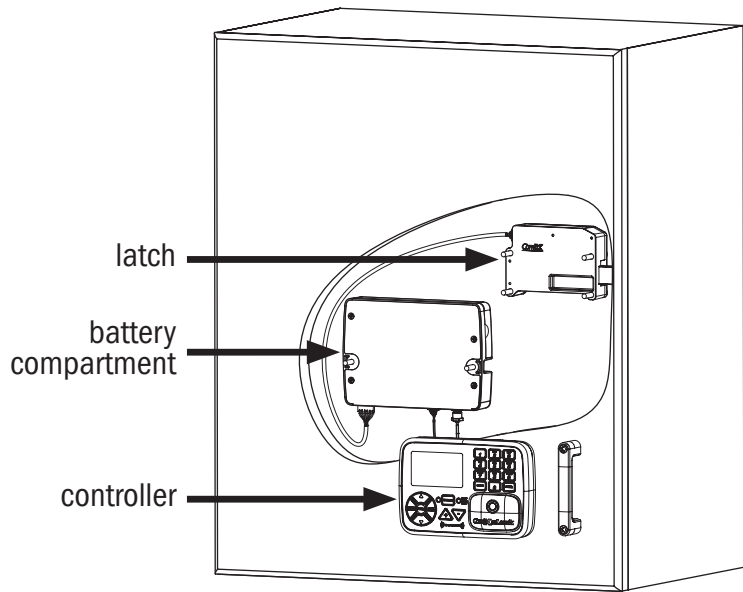


eLock controller

1. Dot matrix LCD
2. Network button (blue LED)
3. "UP" button
4. "NEXT/SELECT" button
5. "BACK/CANCEL" button
6. "MENU" button
7. "DOWN" button
8. + Button
9. - Button
10. Low battery indicator (yellow LED)
11. Magstripe reader location (if equipped)
12. HID Prox or HID iCLASS reader location (if equipped)
13. "ENTER" button
14. "CLEAR" button
15. Alpha-numeric keypad

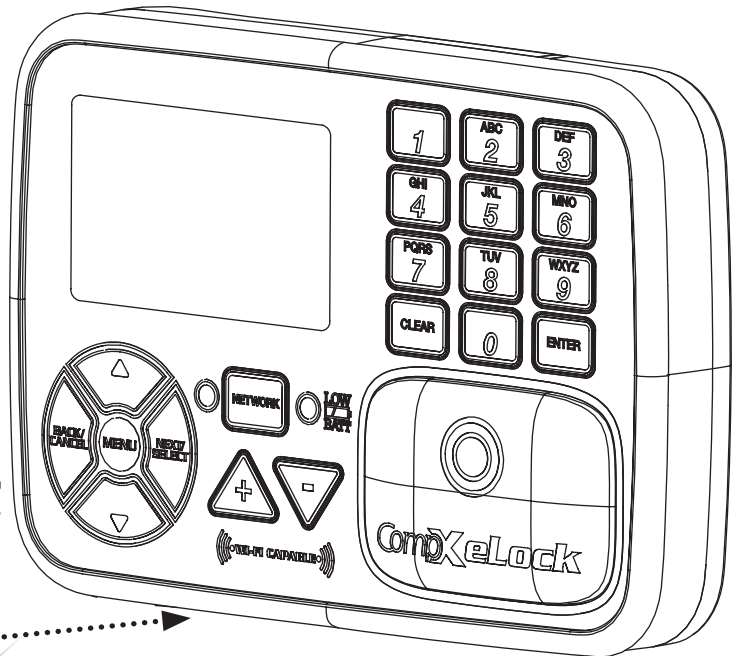
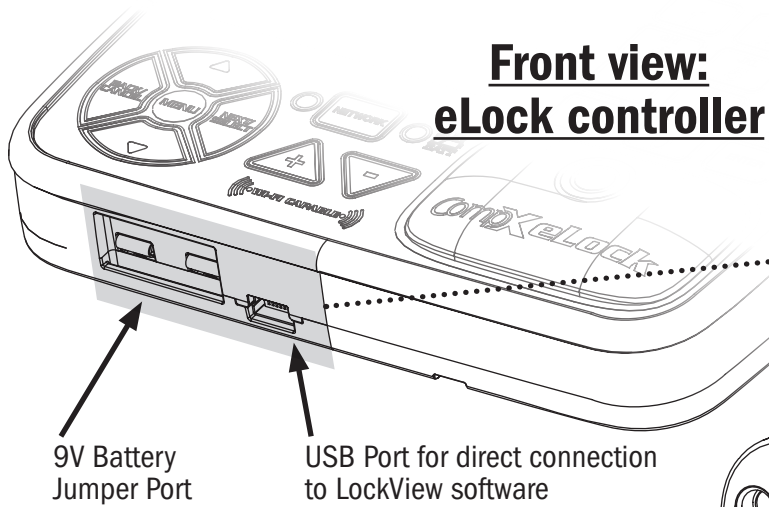


200/300 Series Cabinet eLock – Components



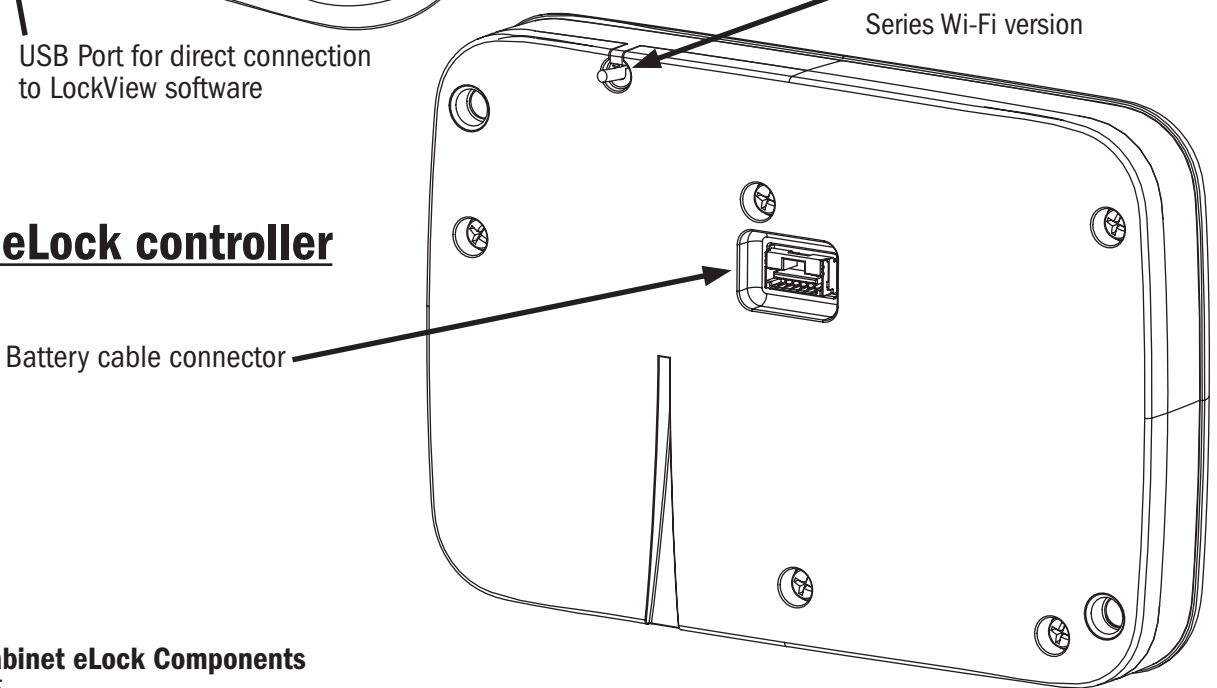
Installation example

Cabinet door installation shown. eLock can also be installed on drawers.



Integrated Wi-Fi antenna cable included for 300 Series Wi-Fi version

Back view: eLock controller



200/300 Series Cabinet eLock Components continued on page 5

200/300 Series Cabinet eLock – Installation

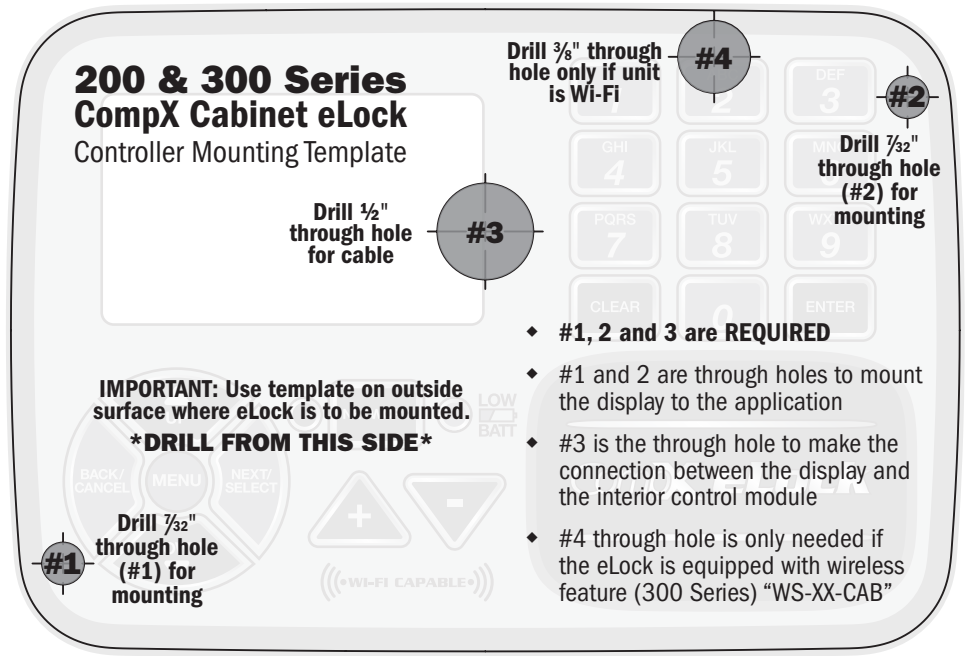
Screws to be used for mounting eLock controller:

- ◆ 2 - #10 x 1/2" philips pan head hi-low blunt point (type B) SEMS mounting screw (use on sheet metal application) - **OR** -
- ◆ 2 - #10 x 1 7/32" philips pan head hi-low blunt point (type B) SEMS mounting screw (use on **MINIMUM** 5/8" thick application; do not use on sheet metal application)

1"

WARNING: Print this page and measure the line above. It is **ONE INCH LONG**. If it measures less than or more than one inch, the template measurements also need to be scaled accordingly.

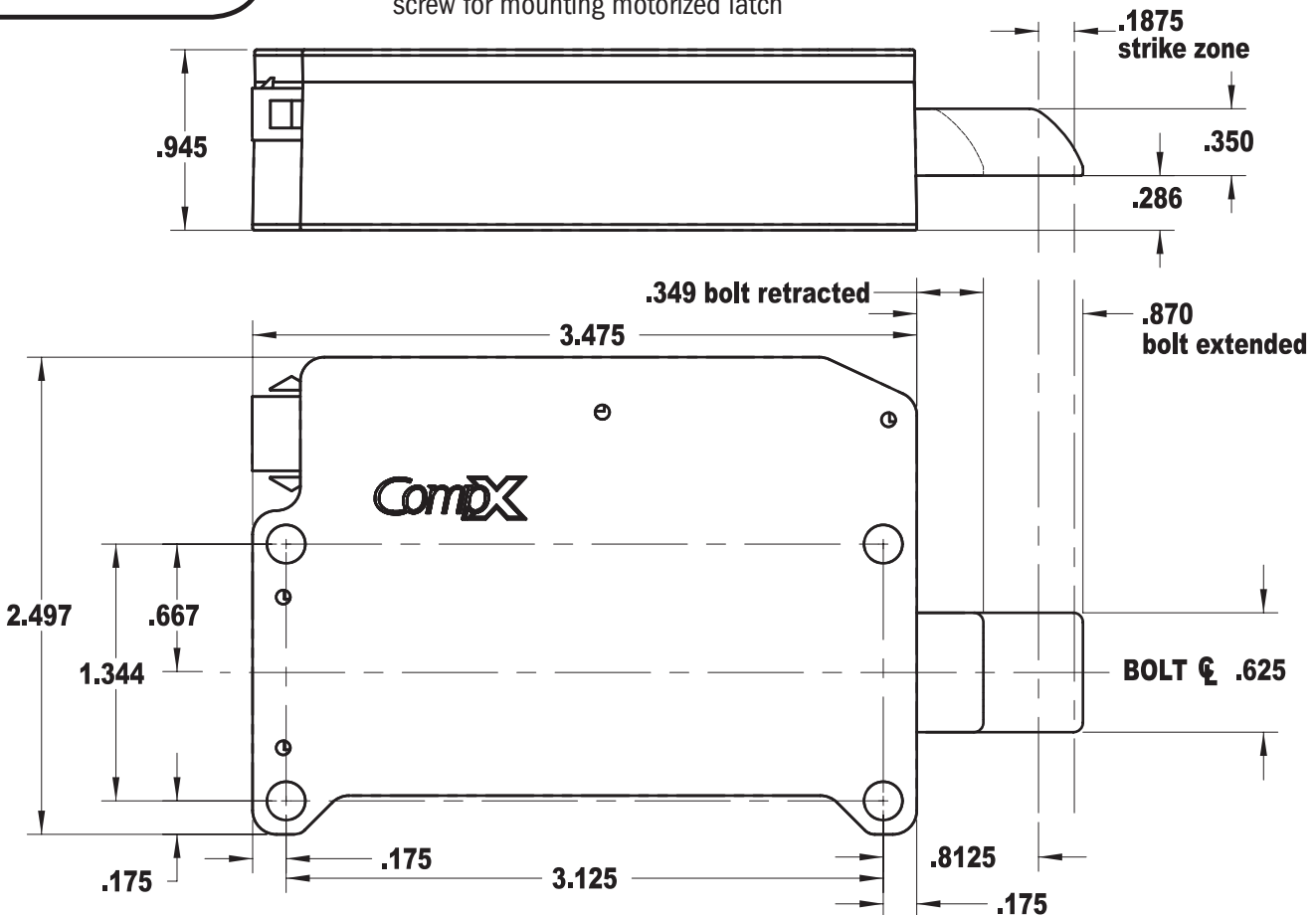
FAILURE TO DO SO COULD RESULT IN MISDRILLED HOLES.



Screws to be used for mounting eLock latch:

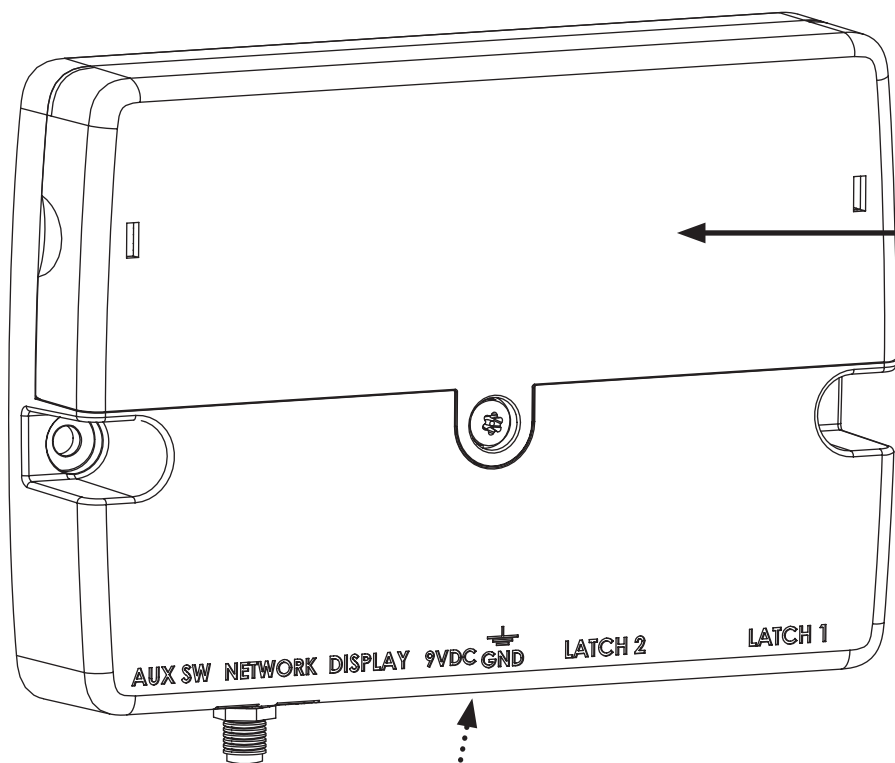
- ◆ 4 - #10 x 1 1/2" philips pan head wood screw for mounting motorized latch

200 & 300 Series CompX Cabinet eLock Latch Mounting Template



**TEMPLATE ON
OPPOSITE PAGE**

Battery compartment

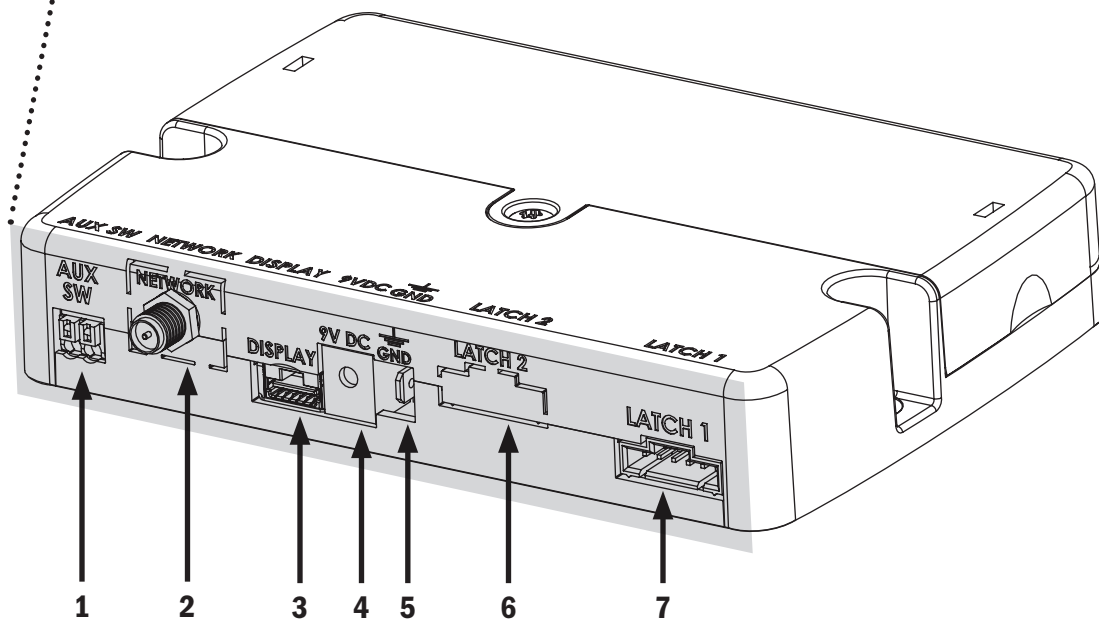


Screws to be used for mounting eLock battery compartment:

- ◆ 2 - #8 x 5/8" philips pan head wood screw for mounting battery compartment

Note:

Battery compartment should be mounted within length of battery cable and latch cable.



- | | | |
|---|--|---|
| 1. Door switch connector (door switch not included) | 4. 2.5 mm AC adapter plug-in (adapter not included) | 7. Latch connector (Latch 1; one latch is included) |
| 2. Wi-Fi antenna cable connector or Ethernet connector (Wi-Fi connector shown; 300 Series only) | 5. Ground terminal | 8. Battery pack cover (6-AA batteries not included) |
| 3. Battery cable connector | 6. Dual eLatch connector (Latch 2, if equipped; one latch is included) | |

200/300 Series Cabinet eLock – Instructions

Unit Features:

- ◆ Choose 802.11g or Ethernet Networked configurations that uses the facilities existing infrastructure for actual 2-way read/write communication
- ◆ Each eLock can hold any combination of up to 3,000 Supervisors and Users
- ◆ Choose a model to use existing HID Prox, HID iCLASS, or magstripe card credentials that can be programmed to operate each eLock
- ◆ Remote Notification System with programmable escalating alerts via SMTP email; SMS text, voice and fax (Networked eLock & LockView Software required)
- ◆ Spring bolt latching mechanism provides automatic relocking
- ◆ Optional second latch drive output (requires additional hardware)
- ◆ Door position switch input (requires additional hardware)
- ◆ Membrane keypads with stainless steel domes provides durable performance and easy cleaning

What's in the box?

- ◆ 1 – eLock controller
- ◆ 1 – motorized latch w/latch cable
- ◆ 1 – battery compartment
- ◆ 1 – battery cable
- ◆ 2 – #10 x 1/2" philips pan head hi-low blunt point (type B) SEMS mounting screw (used to mount eLock controller on sheet metal application)
- ◆ 2 – #10 x 1 7/32" philips pan head hi-low blunt point (type B) SEMS mounting screw (used to mount eLock controller on MINIMUM 5/8" thick application)
- ◆ 2 – #8 x 5/8" philips pan head wood screw for mounting battery compartment
- ◆ 4 – #10 x 1 1/2" philips pan head wood screw for mounting motorized latch
- ◆ 1 – warranty card
- ◆ 1 – serial code sticker set
- ◆ 1 – in-box instructions

What's needed?

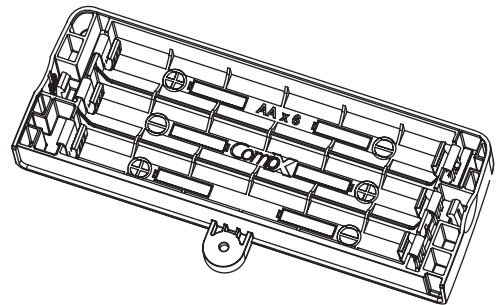
- ◆ 6 – AA alkaline batteries
- ◆ Drill
- ◆ #2 philips head bit
- ◆ 1/2" drill bit for through hole battery cable
- ◆ 3/8" drill bit for through hole Wi-Fi antenna cable (300 Series Wi-Fi only)

- ◆ 7/32" drill bit for through holes to mount eLock display unit
- ◆ T15 pin-in Torx (6-lobe) bit or driver

Care and Cleaning

The eLock is a battery operated device, therefore, it should be part of a regular battery maintenance program.

Warning: install the batteries as shown in the battery compartment. Polarity (+) or (-) must be correct. Replace batteries as a set. Always use new batteries when replacing the old set. Do not combine a used battery with a new one. Only use alkaline batteries; do not mix battery types.



To clean the surface of the eLock, apply non-acid based cleaner to a clean cotton cloth; do not spray cleaner directly on the eLock. Wipe down keypad and housing taking care around the beeper opening and edges of keypads. Wipe excess cleaner off of all surfaces.

Setting up the eLock

Getting Started Out of the Box

If the eLock is stand-alone 200 Series (direct connection via USB to LockView Software v4) and will be used in conjunction with CompX's LockView Software v4, please follow the LockView Mode Instructions below.

For Networked (802.11g or Ethernet) 300 Series eLocks, please follow the CompX eLock Database & Network Configuration & Install Manual and the CompX LockView Software Instruction Manual before proceeding.

The eLock is shipped in **FACTORY** mode.

CONNECTING THE COMPONENTS:

1. Attach one end of the battery cable to the connector on the back of the eLock controller.
2. Attach the other end of the cable to the battery compartment.
3. Attach latch cable terminal to Latch 1 connector. (See diagram for connector locations.)
4. Install 6 AA alkaline batteries. (not included)

INITIAL PROGRAMMING:

1. The first time the eLock is powered up, **FACTORY** will be displayed in the upper left hand corner of the LCD.
2. Press “MENU.”
3. Highlight **CREDENTIAL MENU** and press “NEXT/SELECT.”
4. Highlight **ADD CREDENTIAL** and press “NEXT/SELECT.”
5. **CREDENTIAL TO ADD** will be displayed.

When in **FACTORY** mode, the default status level for the first credential is **Supervisor**, as Supervisor status is required to allow access to further manual programming features.

There are two status levels; Supervisor and User. Only Supervisors are, among other things, allowed to ADD, DELETE, VIEW or EDIT Users and other Supervisors.

6. Scan first supervisor’s card credential (if equipped) or enter first supervisor’s 4-14 digit PIN and press “ENTER.”

The Supervisor will be added to slot number 1.

7. To change the slot number, press “UP” to highlight and then + / - to move to next available slot; or use the numeric keypad to enter the desired slot number

Press “NEXT/SELECT” when done.

8. **CREDENTIAL NAME ENTRY** will appear.

Press **2 - 9** for **A - Z**; press **1** for **- , . , +** or **_**; press **0** for “**space**”; press and hold **0 - 9** for **numbers** (the maximum number of allowed characters is 14).

9. Press “ENTER” when done. **STORED** will be displayed when complete.

Using the various eLock LCD menu options, manual programming can continue.

See **CompX eLock Manual Programming Guide** for complete options and instructions.

10. Press BACK/CANCEL to exit.

Operating the eLock

Follow the instructions below to operate the eLock.

PIN CREDENTIAL

1. Enter a valid PIN (between 4 - 14 digits) and
2. Press “ENTER.”

CARD CREDENTIAL

If the eLock is equipped with a card reader (HID Prox, HID iCLASS or a Magstripe)

1. Present a valid card within range of the HID reader or slide the magstripe card through the magstripe reader.

DUAL CREDENTIAL

If the User or Supervisor requires a dual credential

1. Enter a valid PIN and press “ENTER” (for keypad credentials) or present a valid card (for HID Prox or HID iCLASS or Magstripe credentials).
2. Enter the second credential (4-14 digit PIN) and press “ENTER.”

NOTE: THE SECOND CREDENTIAL MUST ALWAYS BE A 4 - 14 DIGIT PIN

Methods to begin building a database of eLocks in CompX’s LockView Software

Note: Supervisor, User and parameter changes that already exist in the eLock will automatically be carried into LockView once the eLock has been enrolled.

For Networked (802.11g or Ethernet) eLocks, please follow the **CompX eLock Database & Network Configuration & Install Manual** and the **CompX LockView Software Instruction Manual** before proceeding.

LockView Mode Instructions

(For complete details on how to build a database of users and eLocks, see the *CompX LockView Software Instruction Manual* and *CompX eLock Manual Programming Guide*)

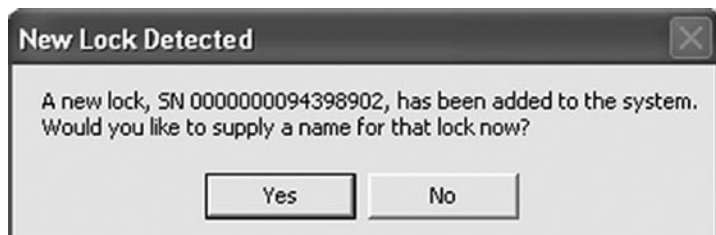
CompX LockView Software v4 must be installed and the eLock must be in **SETUP** mode before continuing.

Stand-alone eLocks (Direct USB connection to laptop computer with LockView is required) There are two methods that can be used to add eLocks to the LockView software.

Automatic Method

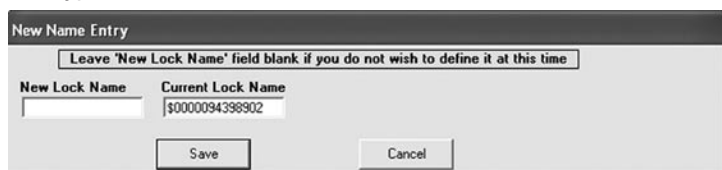
1. With the eLock in **SETUP** mode, connect the eLock via the USB cable to the computer on which LockView is installed.
2. Login to LockView.

- After 30 seconds, the below will appear.



*NOTE: After 5 minutes of inactivity, the eLock will exit **SETUP** mode.*

- Click **Yes**.
- The below will appear.
Type in the name of the lock.



*****Once a Lock Name has been chosen in LockView, it can not be changed. Please be sure the name that is chosen is the one that will be used in the future.***

- Click **Save** when done.
- Go to **Lock Editor** tab in **Lock/User Editor**.
- Left click to highlight the name of the lock and then click **Edit Lock**.
- Verify and/or adjust all other lock parameters. (**See LockView Instruction Manual for complete details.**)
- Click **OK** when done.

Manual Method

- Login to LockView.
- Go to **Lock/User Editor; Lock Editor** tab and click **Add Lock**.
- Enter the required information: **Lock Name; Lock Serial Number** and **Setup Code** (supplied on green sticker set as Setup Cd).

*****Once the Lock Name has been chosen in LockView, it can not be changed. Please be sure the name that is chosen is the one that will be used in the future.***

- Verify and/or adjust all other lock parameters and click **OK**. (**See LockView Instruction Manual for complete details on these options**)

- With the eLock in **SETUP** mode, connect the eLock via the USB cable to the computer on which LockView is installed.
- After 30 seconds, the lock will be updated in LockView. Click **Refresh** to prompt the update.

*NOTE: After 5 minutes of inactivity, the eLock will exit **SETUP** mode.*

PASSAGE MODE

(LockView software required) To hold the latch bolt in the open position indefinitely, there is a setting in LockView called Passage Mode.

Passage Mode can be assigned to an eLock and/or a Supervisor/User credential.

In LockView, via the Lock Editor, Passage Mode can be selected so that every valid User or Supervisor that has access rights to the eLock can place it in passage mode.

In LockView, via the User Editor, Passage Mode can be selected. Users and Supervisors can place any eLock to which they have access right into Passage Mode. This is regardless of whether or not Passage Mode has been activated in the eLock.

To place an eLock into Passage Mode:

PIN CREDENTIAL

- Enter a valid PIN (between 4 - 14 digits) and press "ENTER."
- Press "ENTER" again. **HOLD OPEN** will flash; **LOCK IS HELD OPEN** will appear in the upper left hand corner of the LCD.

CARD CREDENTIAL

If the eLock is equipped with a card reader (HID Prox, HID iCLASS or Magstripe):

- Present a valid card within range of the HID reader or slide the magstripe card through the magstripe reader.
- Press "ENTER." **HOLD OPEN** will flash; **LOCK IS HELD OPEN** will appear in the upper left hand corner of the LCD.

DUAL CREDENTIAL

If the User or Supervisor requires a dual credential:

- Enter a valid PIN and press "ENTER" (for keypad credentials) or present a valid card (for HID Prox, HID iCLASS or magstripe credentials).
- Enter the second credential (4-14 digit PIN) and press "ENTER"
- Press "ENTER" again. **HOLD OPEN** will flash; **LOCK IS HELD OPEN** will appear in the upper left hand corner of the LCD.

NOTE: THE SECOND CREDENTIAL MUST ALWAYS BE A 4 - 14 DIGIT PIN

To EXIT Passage Mode (re-lock the unit/extend the eLock latch bolt):

PIN CREDENTIAL

1. Enter a valid PIN (between 4 - 14 digits)
2. Press “ENTER.” **EXITING PASSAGE MODE** will flash on the LCD and the latch bolt will extend.

CARD CREDENTIAL

If the eLock is equipped with a card reader (HID Prox, HID iCLASS or Magstripe):

1. Present a valid card within range of the HID reader or slide the magstripe card through the magstripe reader. **EXITING PASSAGE MODE** will flash on the LCD and the latch bolt will extend.

DUAL CREDENTIAL

If the User or Supervisor requires a dual credential:

1. Enter the primary valid PIN (for keypad credentials) and press “ENTER” or present the valid card (for HID Prox, HID iCLASS or Magstripe credentials). **EXITING PASSAGE MODE** will flash on the LCD and the latch bolt will extend.

200/300 Series Cabinet eLock – Manual Programming

Credential Menu

ADD CREDENTIAL

Note: There are two status levels; Supervisor and User. Each eLock can hold any combination of up to 3,000 Supervisors and Users.

Only **Supervisors** are allowed to **ADD** Users and Supervisors.

1. Press “MENU.” **LOGIN PLEASE** will be displayed.
2. Scan valid credential or enter 4-14 digit PIN and Press “ENTER.”
3. Press “DOWN” button to highlight **CREDENTIAL MENU** and press “NEXT/SELECT.”
4. Highlight **ADD CREDENTIAL** and press “NEXT/SELECT.”
5. **CREDENTIAL TO ADD** will be displayed. Scan new credential or enter new 4-14 digit PIN and Press “ENTER.”
6. **Adding credential** will be displayed.
7. Default status is **User**. To change status to **Supervisor** press the **+** button.
8. The new User/Supervisor will be added to the next available slot number. To change the slot number, press “UP” and then **+/-** to move to next available slot; or use the numeric keypad to enter the desired slot number and press “NEXT/SELECT.”
9. **CREDENTIAL NAME ENTRY** will appear. Press 2 - 9 for **A - Z**; press 1 for **- , ■ , +** or **__** ; press 0 for **“space”**; press and hold 0 - 9 for numbers. (Maximum number of allowed characters is 14.)
10. Press “ENTER” when done. **STORED** will be displayed when complete.

DELETE CREDENTIAL

Note: There are two status levels; Supervisor and User.

Only **Supervisors** are allowed to **DELETE** Users and Supervisors.

1. Press “MENU.” **LOGIN PLEASE** will be displayed.
2. Scan valid credential or enter 4-14 digit PIN and Press “ENTER.”
3. Press “DOWN” button to highlight **CREDENTIAL MENU** and press “NEXT/SELECT.”
4. Highlight **DELETE CREDENTIAL** and press “NEXT/SELECT.”
5. **Credential to Delete** will be displayed. All of the occupied slots along with the name (if one exists) will be listed. If the status of the credential is a supervisor, an asterisk (*****) appears next to the slot number. Press “MENU” to re-sort by slot number, alphabetically by name, or showing all supervisors first.
6. Press ‘UP’ / “DOWN” to scroll by line or **+/-** to scroll by page to highlight credential to be deleted and press “NEXT/SELECT.”
7. Press “UP” and “NEXT/SELECT” to delete. **DELETED** will be displayed when complete.
8. Press “BACK/CANCEL” to return to **CREDENTIAL MENU**.

VIEW CREDENTIAL

Note: There are two status levels; Supervisor and User.

Only **Supervisors** are allowed to **VIEW** Users and Supervisors.

1. Press “MENU.” **LOGIN PLEASE** will be displayed.
2. Scan valid credential or enter 4-14 digit PIN and Press “ENTER.”

200/300 Series Cabinet eLock – Manual Programming continued

3. Press “DOWN” button to highlight **CREDENTIAL MENU** and press “NEXT/SELECT”
4. Highlight **VIEW CREDENTIAL** and press “NEXT/SELECT”
5. **Credential to View** will be displayed. All of the occupied slots along with the name (if one exists) will be listed. If the status of the credential is a supervisor, an asterisk (*) appears next to the slot number. Press “MENU” to re-sort by slot number, alphabetically by name, or showing all supervisors first.
6. Press “UP”/“DOWN” to scroll by line or +/- to scroll by page to highlight credential to be viewed and press “NEXT/SELECT.”
7. Press “NEXT/SELECT” to display NAME, SLOT NUMBER, LAST ACCESS ATTEMPT.
8. Press “DOWN” to display CREDENTIAL TYPE (KEYPAD, PROXCARD or MAGSTRIPE CARD)
9. Press “DOWN” again to display the ACCESS SCHEDULE (TIME AND DAY RESTRICTIONS AS SET IN LOCKVIEW).
10. Press “BACK/CANCEL” to return to **CREDENTIAL MENU**.

EDIT CREDENTIAL

Note: There are two status levels; Supervisor and User.

Only **Supervisors** are allowed to **EDIT** Users and Supervisors.

1. Press “MENU” **LOGIN PLEASE** will be displayed.
2. Scan valid credential or enter 4-14 digit PIN and Press “ENTER”
3. Press “DOWN” button to highlight **CREDENTIAL MENU** and press “NEXT/SELECT”
4. Highlight **EDIT CREDENTIAL** and press “NEXT/SELECT”
5. **Credential to Edit** will be displayed. All of the occupied slots along with the name (if one exists) will be listed. If the status of the credential is a supervisor, an asterisk (*) appears next to the slot number. Press “MENU” to re-sort by slot number, alphabetically by name, or showing all supervisors first.
6. Press “UP” / “DOWN” to scroll by line or +/- to scroll by page to highlight credential to be edited.
7. Press “NEXT/SELECT” to edit highlighted credential
8. Press +/- to change **Level** (Supervisor/User); press “UP/DOWN” to highlight **2nd PIN**. To add a new or change an existing 2nd PIN, enter a 4 - 14 digit number using the numeric keypad. Press “ENTER” when done. Confirm the new/changed PIN by entering it again when prompted. Press “ENTER” when done.
9. Press “BACK/CANCEL” to return to **CREDENTIAL MENU**.

SET/EDIT YOUR 2nd PIN

Note: There are two status levels; Supervisor and User.

Only **Supervisors** are allowed to **SET/EDIT YOUR 2nd PIN**. The steps below will make the logged in credential a Dual Credential Supervisor requiring a 2nd PIN.

Follow the **EDIT CREDENTIAL** steps to add/change dual credential status for other Supervisors or Users.

1. Press “MENU” **LOGIN PLEASE** will be displayed.
2. Scan valid credential or enter 4-14 digit PIN and Press “ENTER”
3. Press “DOWN” button to highlight **CREDENTIAL MENU** and press “NEXT/SELECT”
4. Highlight **SET YOUR 2nd PIN** and press “NEXT/SELECT.” (**EDIT YOUR 2nd PIN** will appear if a second PIN credential already exists)
5. **Type new 2nd PIN** will be displayed. Enter new 4 - 14 digit PIN and press “NEXT/SELECT.”
6. **Type 2nd PIN** again will appear. Enter the 4 - 14 digit PIN again and press “NEXT/SELECT.” **NEW PIN SET** will appear.

Display Formats

Using **DISPLAY FORMATS**, the following can be adjusted:

HOURS: AM/PM or 24 HOUR

M-F/DATE:

- ◆ **MON-SUN; MM/DD/YY;**
- ◆ **MON-SUN; MMM D ‘YY;**
- ◆ **MON-SUN; DD-MM-YY;**
- ◆ **MON-SUN; DD-MMM-YY**
- ◆ **MON-SUN; YYYY-MM-DD**

1. Press “MENU.” **LOGIN PLEASE** will be displayed.
2. Scan valid credential or enter 4-14 digit PIN and press “ENTER.”
3. Press “DOWN” button to highlight **DISPLAY FORMATS** and press “NEXT/SELECT.”
4. **DISPLAY FORMATTING** will be displayed.
5. Press “UP”/“DOWN” buttons to select and +/- buttons to adjust.
6. Press “NEXT/SELECT” when done.

Set Date/Time

Using **SET DATE/TIME**, the following can be adjusted:

SETUP TIME ZONE (INCLUDING AUTO DAYLIGHT SAVING)

SET DATE (MONTH, DAY, YEAR)

SET TIME (HOUR, MINUTE, AM/PM)

1. Press “MENU.” **LOGIN PLEASE** will be displayed.

200/300 Series Cabinet eLock – Manual Programming continued

2. Scan valid credential or enter 4-14 digit PIN and press “ENTER.”
3. Press “DOWN” button to highlight **SET DATE/TIME** and press “NEXT/SELECT.”
4. **DATE/TIME MENU** will be displayed.
5. Press “UP”/“DOWN” to scroll and “NEXT/SELECT” to modify.
6. Press “UP”/“DOWN” buttons to select and +/- buttons to adjust.
7. Press “NEXT/SELECT” when done.
8. Press “BACK/CANCEL” to return to main menu.
3. Press “DOWN” button to highlight **LCD BACKLIGHT** and press “NEXT/SELECT.”
4. **LCD Backlight** will be displayed.
5. Enter 0 - 9 on numeric keypad or +/- buttons to adjust. (“0” = OFF)
6. Press “NEXT/SELECT” when done.

Network Test (if equipped)

Using **NETWORK TEST** the strength and quality of the eLock connection to the network is displayed. The IP and MAC addresses are also shown here.

1. Press “MENU.” **LOGIN PLEASE** will be displayed.
2. Scan valid credential or enter 4-14 digit PIN and press “ENTER.”
3. Press “DOWN” button to highlight **NETWORK TEST** and press “NEXT/SELECT.”
4. **NET STATUS** will be displayed as well as **Str: & Qual:**, **IP address** and **MAC address**.
5. Press “CLEAR” to exit.

LCD Contrast

Using **LCD CONTRAST**, the LCD contrast can be adjusted:

1. Press “MENU.” **LOGIN PLEASE** will be displayed.
2. Scan valid credential or enter 4-14 digit PIN and press “ENTER.”
3. Press “DOWN” button to highlight **LCD CONTRAST** and press “NEXT/SELECT.”
4. **LCD Contrast** will be displayed.
5. Enter 1 - 9 on numeric keypad or +/- buttons to adjust.
6. Press “NEXT/SELECT” when done.
7. Press “BACK/CANCEL” to return to main menu.

LCD Backlight

Using **LCD BACKLIGHT** the brightness of the display can be adjusted.

1. Press “MENU.” **LOGIN PLEASE** will be displayed.
2. Scan valid credential or enter 4-14 digit PIN and press “ENTER.”

Set Beep Volume

Using **SET BEEP VOLUME**, the audible beep can be adjusted.

1. Press “MENU.” **LOGIN PLEASE** will be displayed.
2. Scan valid credential or enter 4-14 digit PIN and press “ENTER.”
3. Press “DOWN” button to highlight **SET BEEP VOLUME** and press “NEXT/SELECT.”
4. **Beep Volume** will be displayed.
5. Enter 0 - 9 on numeric keypad or +/- buttons to adjust. (“0” = MUTE)
6. Press “NEXT/SELECT” when done.
7. Press “BACK/CANCEL” to return to main menu.

Reset Net Schedule

A PROPERLY CONFIGURED AND ENABLED NETWORK eLock IS REQUIRED TO MAKE USE OF THIS FEATURE.

Only **Supervisors** are allowed to **RESET NET SCHED.**

Using **RESET NET SCHED.** the scheduled network check-in time can be set.

1. Press “MENU.” **LOGIN PLEASE** will be displayed.
2. Scan valid credential or enter 4-14 digit PIN and Press “ENTER.”
3. Press “DOWN” button to highlight **RESET NET SCHED.** and press “NEXT/SELECT.”
4. **NETWORK TIMING RESET** will be displayed. The eLock will follow the programmed or default check-in frequency from this time of day forward.

For example:

Programmed Update Interval as set in LockView is 12 hours (twice/day). The time of day was 10 a.m. when the eLock was initialized.

Therefore, the eLock update time is 10 a.m. and 10 p.m. The desired update time is 6 a.m. and 6 p.m.

Using the **RESET NET SCHED.** feature, the above steps should be followed at 6 a.m. or 6 p.m.

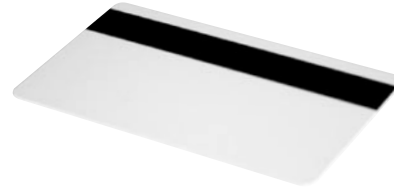
200/300 Series Cabinet eLock – Accessories



HID® Prox User, Supervisor Card

Part Number:
EL-2004-PC (no logo)

EL-ICLASS-C
(HID iCLASS user, supervisor card)



Magstripe User, Supervisor Card

Part Number:
EL-2004-MS (no logo)



LockView® Software Kit

(1 LockView® CD, 1 USB cable)

Part Number:
EL-LOCKVIEW-4



HID® Prox Tag

Part Number:
EL-2004-PT

EL-ICLASS-T
(HID iCLASS tag)



AC Adapter

Part Number:
EL-2004-9VWB
(for use with the CompX eLock kit)

EL-2004-ACWB
(for use with 12V electric strikes)



Bit

Part Number:
EL-BIT-15



Screwdriver

Part Number:
EL-DRV-15

Note: product images are not to scale.

HID is a trademark of HID Corporation.

LockView® software

- Add, edit, view and delete users / supervisors and their credentials
- Add, edit and delete CompX eLocks®
- Assign access rights between users / supervisors and CompX eLocks® in the database
- USB or network connection*
- Download, view, save, print, archive and delete audit trails
- Dual credential access available
- Set real time clock
- Time based access restrictions
- Create user groups
- Windows™ based
- Set up Escalating Notification System*
- View Compliance Dashboard*
- Dual Latch access available (second latch required and not included)

* requires network eLock

LockView is a Registered Trademark of CompX International. Windows is a trademark of the Microsoft Corporation. Specifications may vary based on user application.



Part #: 332540-0000-00

Copyright 2011 © CompX Security Products / 847.752.2500 / compx.com / 715 Center St., Grayslake, IL 60030
Any companies and/or products referred to herein are marks or registered trademarks of their respective companies, owners and/or mark holders.

